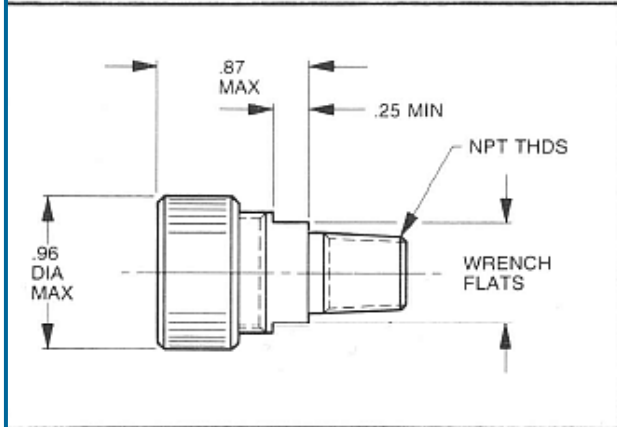
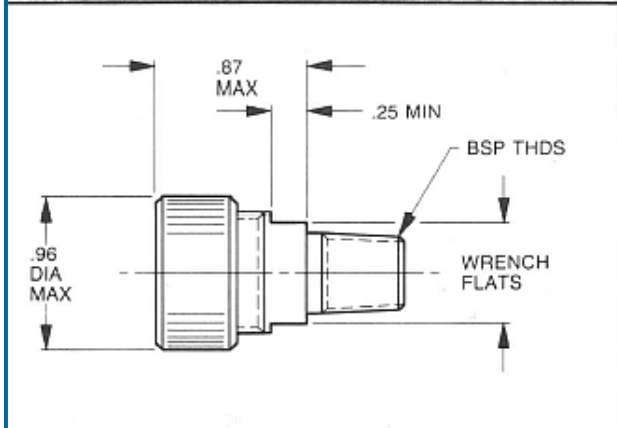


STRAIGHT THREAD ASSEMBLIES			
DASH NO.	FITTING END PER 460107	THREADS	WRENCH FLATS
-1	MS 33656-3	3/8-24	5/8
-2	MS 33656-4	7/16-20	
-3	MS 33656-5	1/2 - 20	11/16

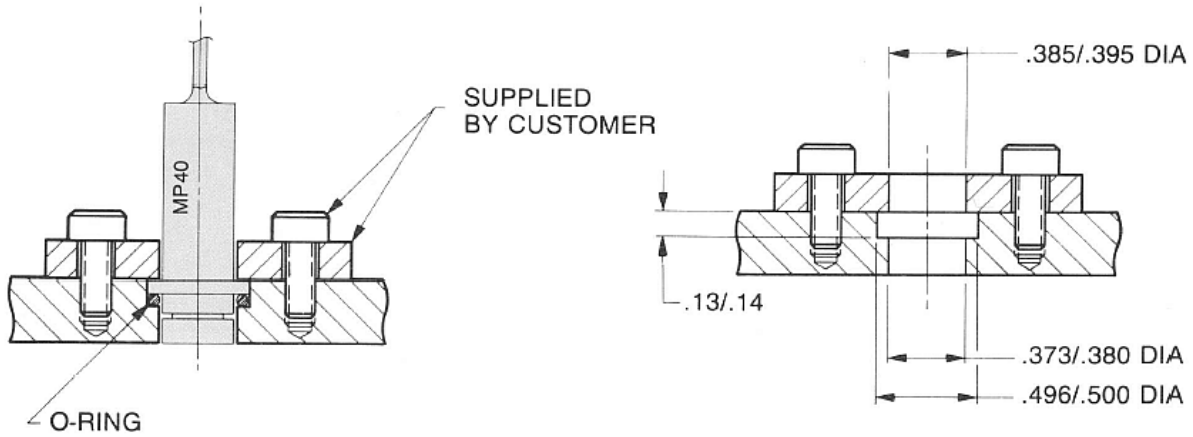


PIPE THREAD ASSEMBLIES			
DASH NO.	FITTING END PER 460107	THREADS	WRENCH FLATS
-4	1/16 NPT	1/16-27	5/8
-5	1/8 NPT	1/8-27	
-6	1/4 NPT	1/4-18	

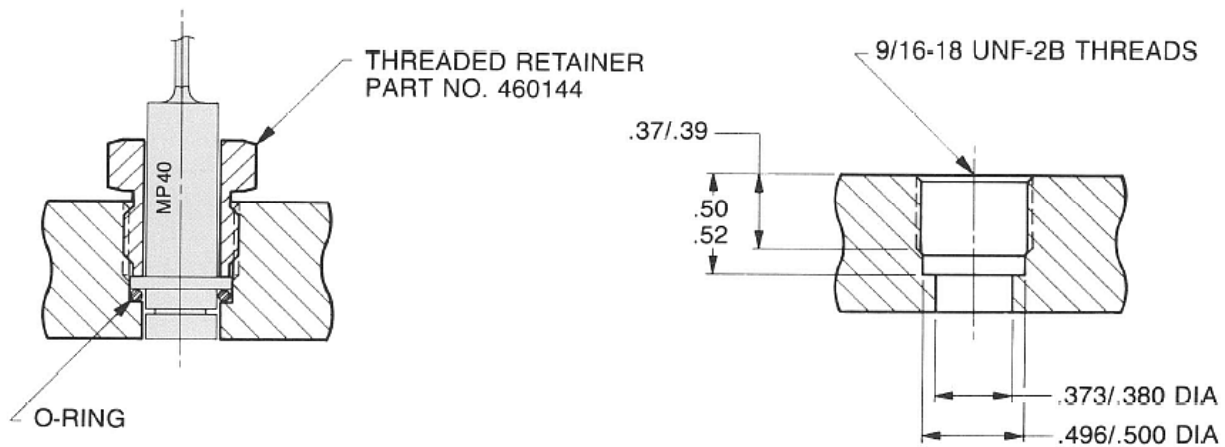


BSP THREAD ASSEMBLIES			
DASH NO.	FITTING END PER 460107	THREADS	WRENCH FLATS
-7	1/4 BSP TYPE "B"	PARALLEL	5/8
-8	3/8 BSP TYPE "B"	PARALLEL	11/16

**FLAT PLATE AND BOLT RETENTION**



**PORT WITH THREADED RETAINER**



**WELD ADAPTOR WITH THREADED RETAINER**

